

## **Bird Spikes and Bird Wire Systems – A complete range of bird roost inhibitors**

Prevent birds from landing and roosting with our range of bird spikes and bird wire solutions.

### **How it works**

Birds instinctively fly to "landing strips" such as roof ledges, window sills, building projections, signs, statues, trusses and beams. Bird spikes and bird wire systems are the most effective mechanical bird deterrents that prevent birds from landing and roosting.

Bird spikes and bird wire are effective for several reasons:

- Keep birds from landing and roosting
- A low cost bird deterrent
- Easy to install and maintain
- Different shapes and sizes
- Suitable for most applications

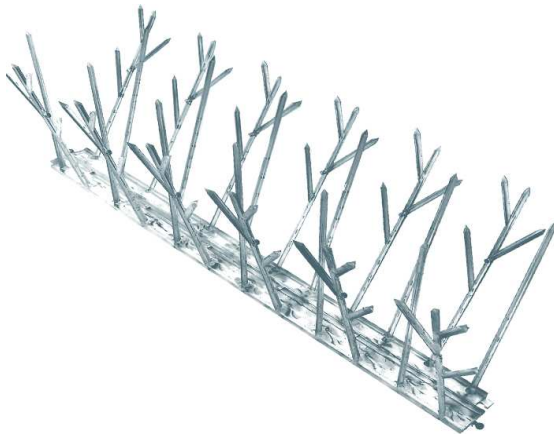


### **Applications**

Prevent Pigeons, Gulls, Starlings and other nuisance birds from landing on ledges, roof tops, beams and other areas.



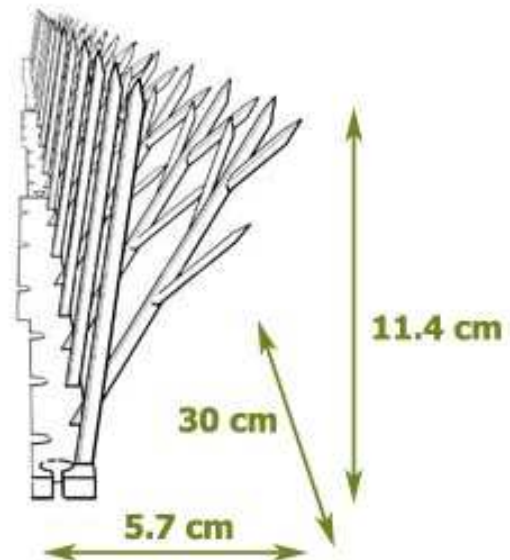
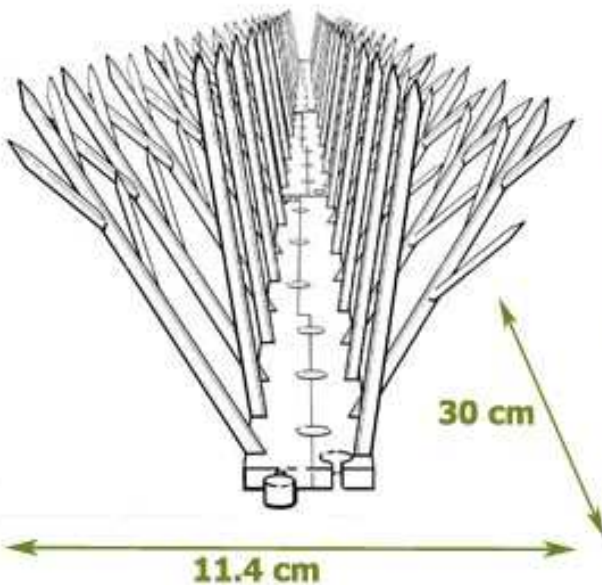
## Bird Spikes – Polycarbonate Single Row and Double Row of spikes



Item Code: SPK1, SPK2

**Specifications:**

- Length 300mm
- Flexible polycarbonate base and spikes
- Available in SPK1 (single row) and SPK2 (clip together double row) of spikes
- Easy installation using nails, screws or spikes adhesive (available on request)

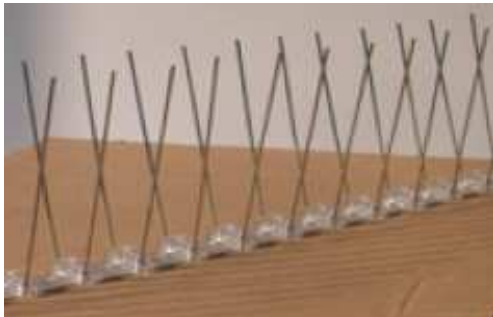


## Bird Spikes – Stainless Steel MBS45

Item Code: MBS45

**Specifications:**

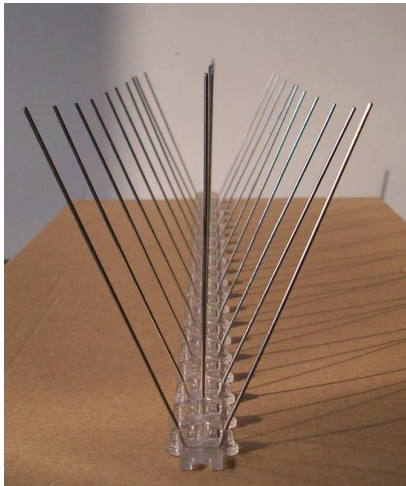
- Length 500mm
- Flexible polycarbonate base
- Stainless steel spikes
- Easy installation using nails, rivets, screws or spikes adhesive (available on request)
- Dimensions shown below



**Dimensions:**  
**4.5 cm x 8.8 cm x 50 cm**  
**20 rows per 50cm**



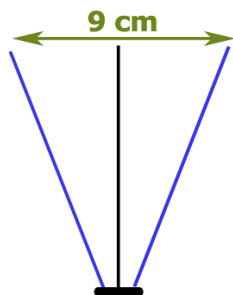
## Bird Spikes – Stainless Steel MBS90



Item Code: MBS90

**Specifications:**

- Length 500mm
- Flexible polycarbonate base
- Stainless steel spikes
- Easy installation using nails, rivets, screws or spikes adhesive (available on request)
- Dimensions shown below



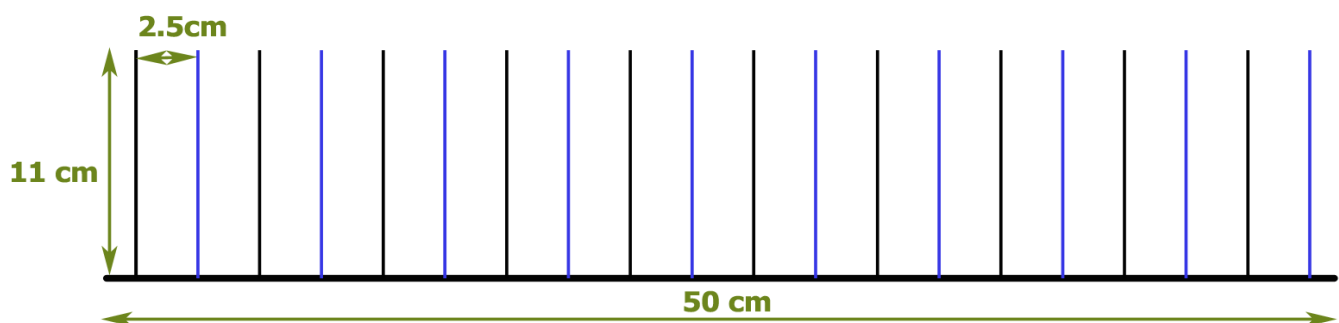
**Dimensions:**

**9 cm x 11 cm x 50 cm**

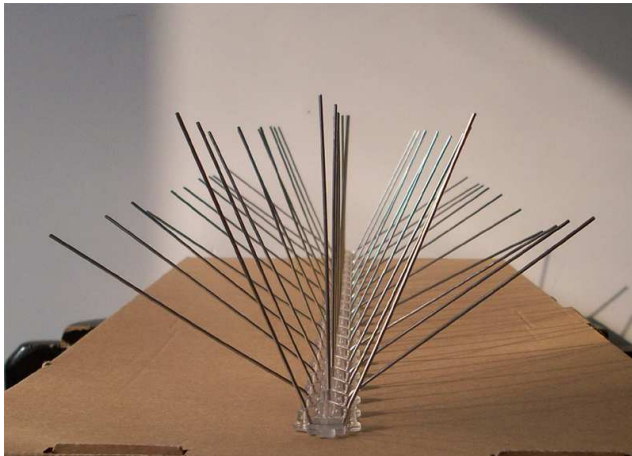
**20 rows per 50cm**

**Black: Odd row**

**Blue: Even row**



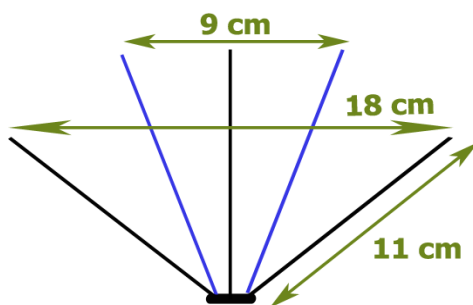
## Bird Spikes – Stainless Steel MBS180



Item Code: MBS180

### Specifications:

- Length 500mm
- Flexible polycarbonate base
- Stainless steel spikes
- Easy installation using nails, rivets, screws or spikes adhesive (available on request)
- Dimensions shown below



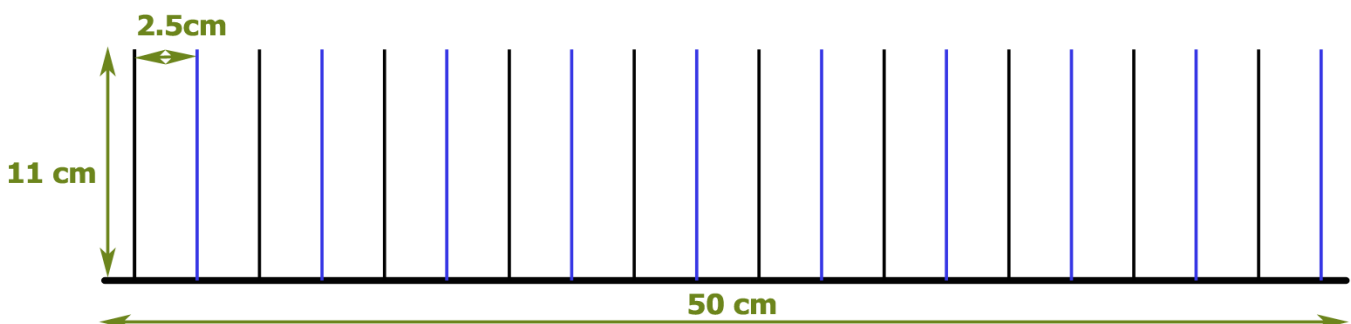
### Dimensions:

**18cm x 11 cm x 50 cm**

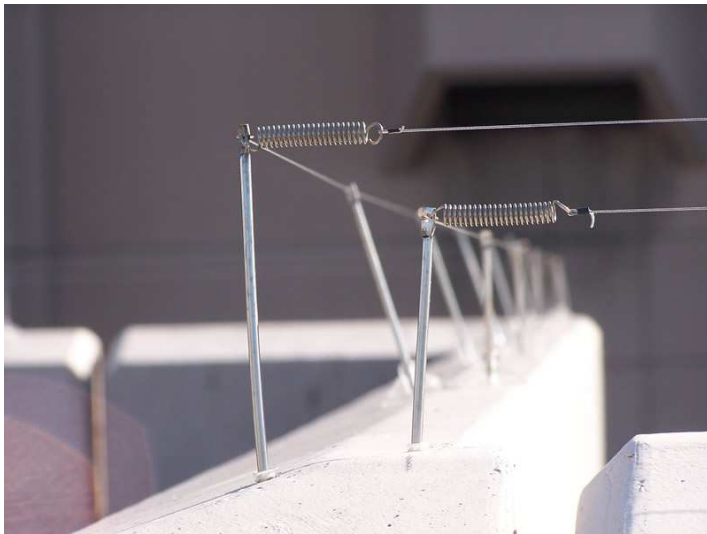
**20 rows per 50cm**

**Black: Odd row**

**Blue: Even row**



## Bird Wire System



**Item Code: BWS01**

**Specifications:**

- Extremely flexible, effective and affordable bird deterrent system
- System consists of wire, posts, post pads, springs and crimps.
- Easy installation



Stainless wire, nylon coated,  
UV stabilised, 0.76mm diameter



Stainless steel spring



Post, 4mm diameter, available in two sizes  
90mm (single hole) or 150mm (two holes)



PVC pad



Nickel plated copper crimps



## Accessories: Bird Spikes – Special Adhesive 296ml



Our terms and conditions of sale apply.

Please go to [www.easytek.co.nz/conditions.asp](http://www.easytek.co.nz/conditions.asp) for full details.



Easy Technology Solutions Ltd.  
PO Box 6690, Upper Riccarton  
**Christchurch 8442**  
NEW ZEALAND