



Ultrasonic Repellent

The CatStop! keeps cats and small dogs out of your flowers, garden, yard or anywhere you don't want them to be.

It's easy to use. Place the unit facing the area you want to protect. The built-in motion sensor detects the animal entering the area and emits a piercing, high decibel alarm. It startles the cat and frightens it away. Since the sound is ultrasonic you and your neighbors cannot hear it. It is most effective on excitable cats and dogs that have a predisposition to startle easily.

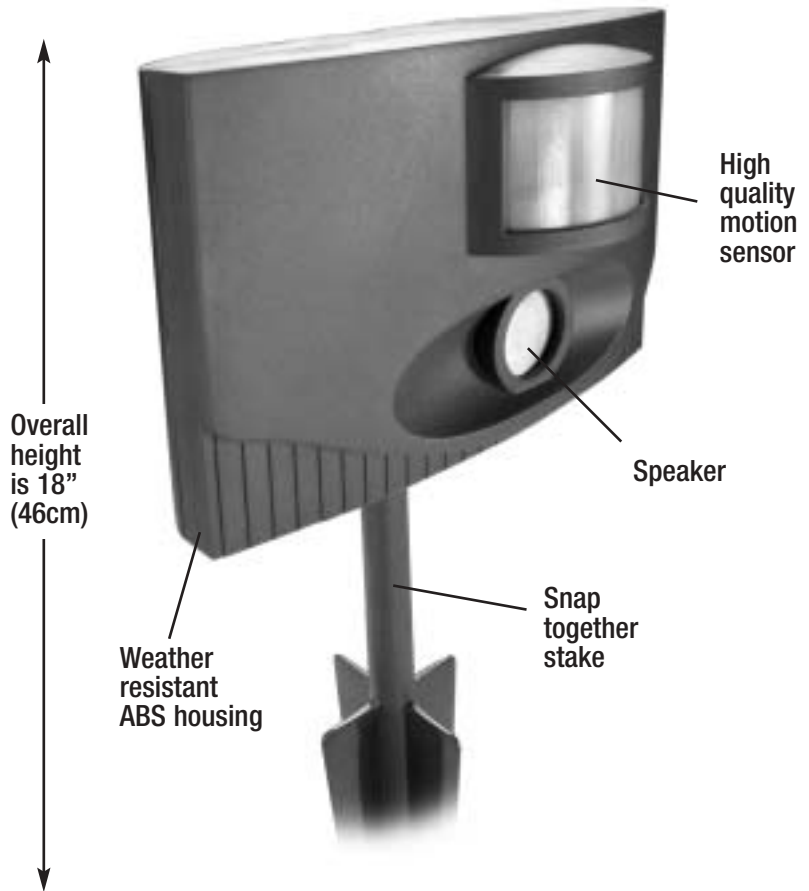




Ultrasonic Repellent



2 year
LIMITED
WARRANTY



This unit can operate for up to nine months on one standard 9 volt battery. [Battery life estimate is based upon 4900 activations spread over 245 days at an average of 20 per day.]

Unit protects approximately 330 square feet. There are no controls or adjustments. Simply install the battery and position in your garden.

Item#	Product	Case Qty	UPC Code
CAT-001	Cat Stop Remailer Pkg.	6	59463.00031
CAT-002	Cat Stop En. Fr. Sp. Retail Pkg.	6	59463.00034
CAT-003	Cat Stop European Multilingual	6	59463.00038

Warranty

Contech Electronics Inc. warrants to the original purchaser of it's products that the product will be free from defects in material and workmanship for a period of two (2) years from purchase date. Simply follow the return policy printed on our price list, and we will repair or replace any defective products during this warranty period.

Specifications subject to change if improvements are made.

CONTECH
intelligent animal control

Contech Electronics, Inc.
PO Box 115
Saanichton, BC Canada V8M 2C3
www.harmonyhome.com